



晶采光電科技股份有限公司
AMPIRE CO., LTD.

SPECIFICATIONS FOR LCD MODULE

CUSTOMER	
CUSTOMER PART NO.	
AMPIRE PART NO.	AF-128128C2FTQW-15H-B
APPROVED BY	
DATE	

Approved For Specifications

Approved For Specifications & Sample

AMPIRE CO., LTD.

**TOWER A, 4F, No.114, Sec. 1, HSIN-TAI 5th RD., HIS-CHIH,
TAIPEI HSIEN, TAIWAN(R.O.C.)**

台北縣汐止鎮新台五路一段114號4樓(東方科學園區A棟)

TEL:886-2-26967269, FAX:886-2-26967196 or 886-2-26967270

APPROVED BY	CHECKED BY	ORGANIZED BY

RECORD OF REVISION

Revision Date	Contents	Editor
2005/2/5	New Release	Lorry

1 FEATURES

- (1) Display format : 128×128 dots, 1/128 duty.
- (2) Construction : LCD panel, White LED Back-Light and COF.
- (3) Display type : FSTN , Negative type , 6 o'clock view
- (4) Controller : HD66750S
- (5) +2.8V single power input.
- (6) Built-in temp compensation circuit.
- (7) Extend temperature type.

2 MECHANICAL DATA

Parameter	Stand Value	Unit
Dot size	0.199(W) × 0.219(H)	mm
Dot pitch	0.213(W) × 0.233(H)	mm
Viewing area	30.5(W) × 32.0 (H)	mm
Module size	38.3(W) × 84.5(H) × 4.0 max.(T)	mm

3 ABSOLUTE MAXIMUM RATINGS

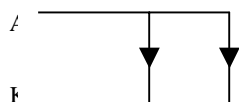
Parameter		Symbol	Min	Max	Unit
Logic Circuit Supply Voltage		VDD-VSS	-0.3	+4.6	V
LCD Driving Voltage		VLCD-VSS	0	20.0	V
Input Voltage		VI	-0.3	VDD+0.3	V
Extend temp. type	Operating Temp.	TOP	-20	70	°C
	Storage Temp.	TSTG	-30	80	°C

4 ELECTRO-OPTICAL CHARACTERISTICS

Parameter	Symbol	Condition	Min	Typ	Max	Unit	Note
----- Electronic Characteristics -----							
Logic Circuit Supply Voltage	VDD-VSS	--	2.4	2.8	3.6	V	
LCD Driving Voltage (FSTN)	VO-VSS	-20 °C	12.8	13.2	13.6	V	
		25 °C	12.5	12.9	13.3		
		70 °C	12.2	12.6	13.0		
Input Voltage	VIH	--	0.7VDD	--	VDD	V	
	VIL	--	-0.3	--	0.15 VDD	V	
Logic Supply Current	IDD	VDD=2.8V	--	0.5	0.7	mA	
----- Optical Characteristics (FSTN) -----							
Contrast	CR	25°C	--	49.5	--		Note 1
Rise Time	tr	25°C	--	154	--	ms	Note 2
Fall Time	tf	25°C	--	182	--	ms	
Viewing Angle Range	θf	25°C & CR \geq 2	35	--	--	Deg.	Note 3
	θb		19	--	--		
	θl		30	--	--		
	θr		30	--	--		
Frame Frequency	fF	25°C	--	64	--	Hz	
----- White LED Back-light Characteristics -----							
Parameter	Symbol	Condition	Min	Typ	Max	Unit	Note
Forward Voltage	VF	IF=40mA	3.0	3.3	3.6	V	Supply Voltage between A&K
Forward Current	IF	VF=3.3V	--	40	--	mA	Note 4
LCM Luminous intensity		IF=40mA	--	50	--	cd/m ²	Note 5

(NOTE 4)Best usage, IF=30~40mA

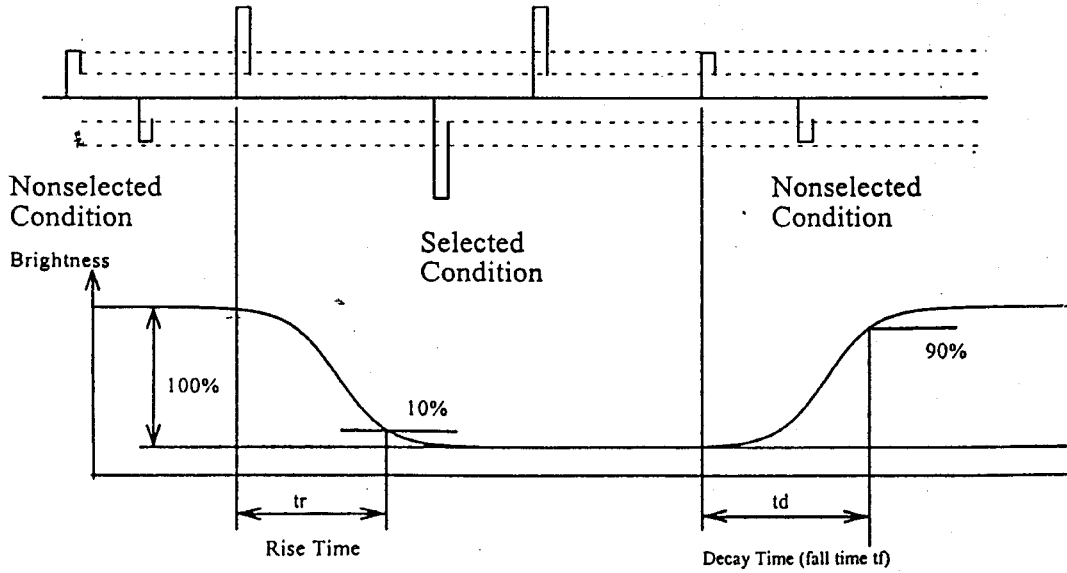
(NOTE 5) The Luminous Intensity depends on IF



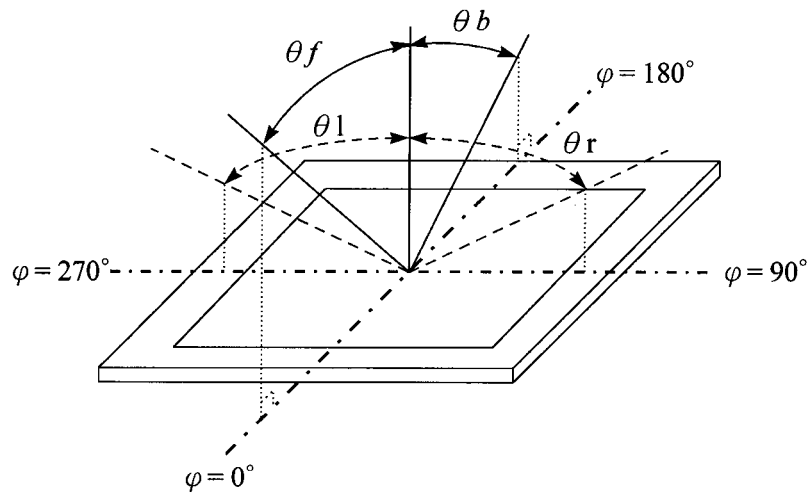
(NOTE 1) Contrast ratio :

$$CR = (\text{Brightness in OFF state}) / (\text{Brightness in ON state})$$

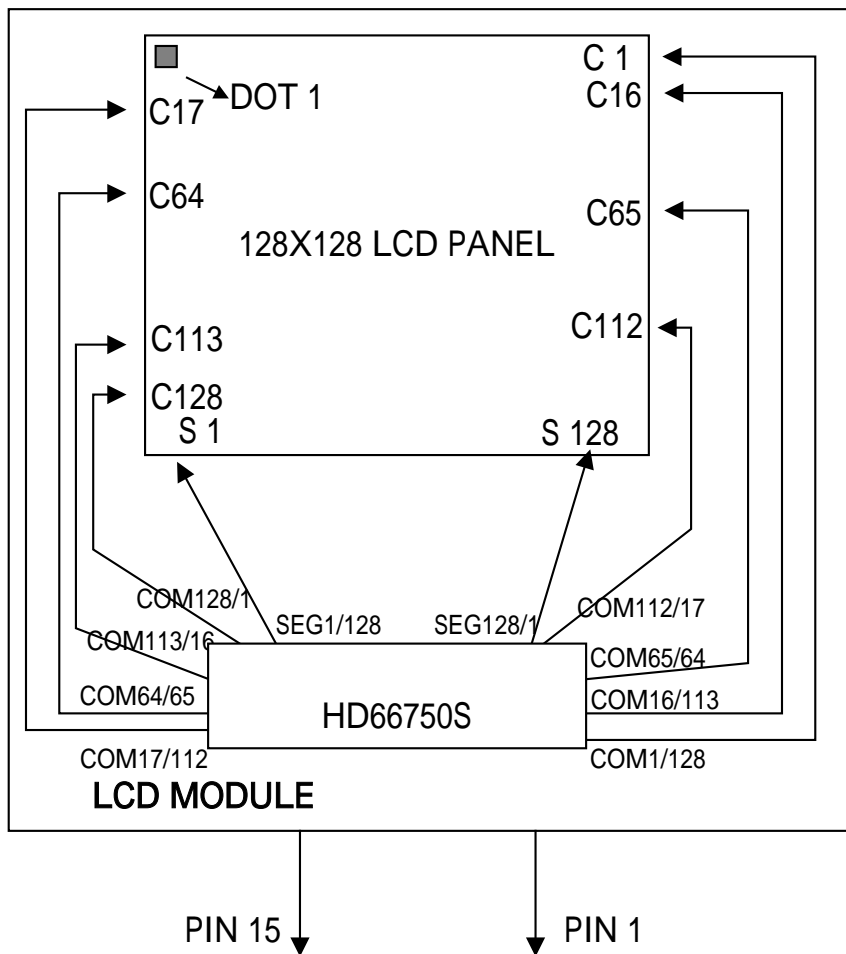
(NOTE 2) Response time :



(NOTE 3) Viewing angle



5 BLOCK DIAGRAM & INTERFACE



No.	Symbol	Function
1	VDD	Power supply for logic circuit
2~9	D7~D0	Data bus
10	/RES	Reset pin .Initializes the LSI when low
11	/CS	Chip select at low
12	A0	Select register Lo:Index/status Hi:Control
13	/WR	Data Write
14	/RD	Data Read
15	VSS	Ground (0V)

6 Software setting

Please must follow the blow setting. Otherwise the temp consumption circuit can't work very well. These setting are related to temp consumption circuit, especially in Power control.

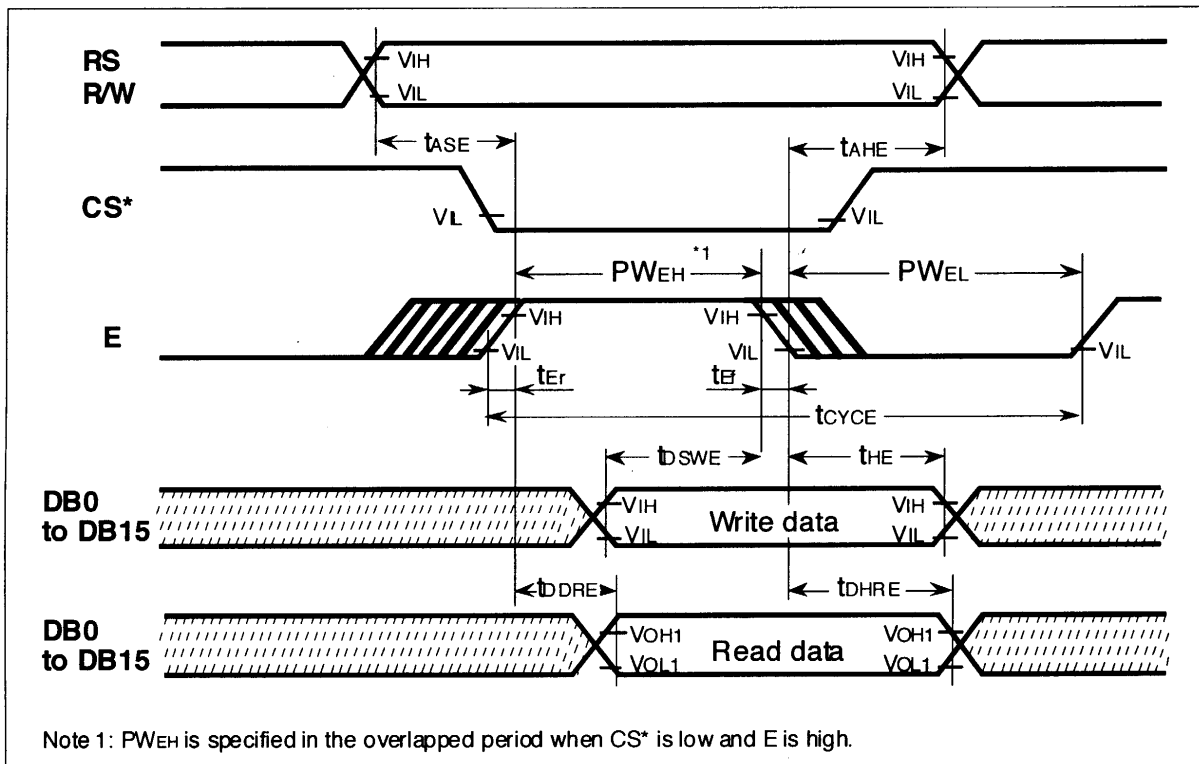
Power control

R/W	RS	DB15	DB14	DB13	DB12	DB11	DB10	DB9	DB8	DB7	DB6	DB5	DB4	DB3	DB2	DB1	DB0
0	1	*	*	*	BS2	BS1	BS0	BT1	BT0	*	*	DC1	DC0	AP1	AP0	SLP	STB
0	1	0	0	0	0	0	1	1	1	0	0	1	1	0	1	0	0
					1/10 BIAS			7-TIMES				4-DIVIDED		SMALL			

Contrast control

R/W	RS	DB15	DB14	DB13	DB12	DB11	DB10	DB9	DB8	DB7	DB6	DB5	DB4	DB3	DB2	DB1	DB0
0	1	*	*	*	*	*	*	*	*	*	*	CT5	CT4	CT3	CT2	CT1	CT0
0	1	0	0	0	0	0	0	0	0	0	0	1	0	1	0	0	0
												28 (HEX) , 40 (DEC)					

7 TIMING CHARACTERISTICS



80-SYSTEM

Item	Symbol	VDD=1.8to2.4V		VDD=2.4to3.6V		Unit
		Min	Max	Min	Max	
Bus cycle time	tcycW	Write 600	--	380	--	ns
	tcycR	Read 800		500		
Lo level plusw width	PWLW	Write120	--	70	--	
	PWLR	Read 350		250		
Hi-level pulse width	PWHW	Write300	--	150	--	
	PWHRL	Read 300		150		
Enable rise/fall time	tWRr,WRf	--	25	--	25	
Address set-up time (RS, R/W to E)	tAS	50	--	50	--	
Address hold time	tAH	20	--	20	--	
Write Data set-up time	tDSW	60	--	60	--	
Write Data hold time	tH	20	--	20	--	
Read Data delay time	tDDR	--	300	--	200	
Read Data hold time	tDHR	5	--	5	--	

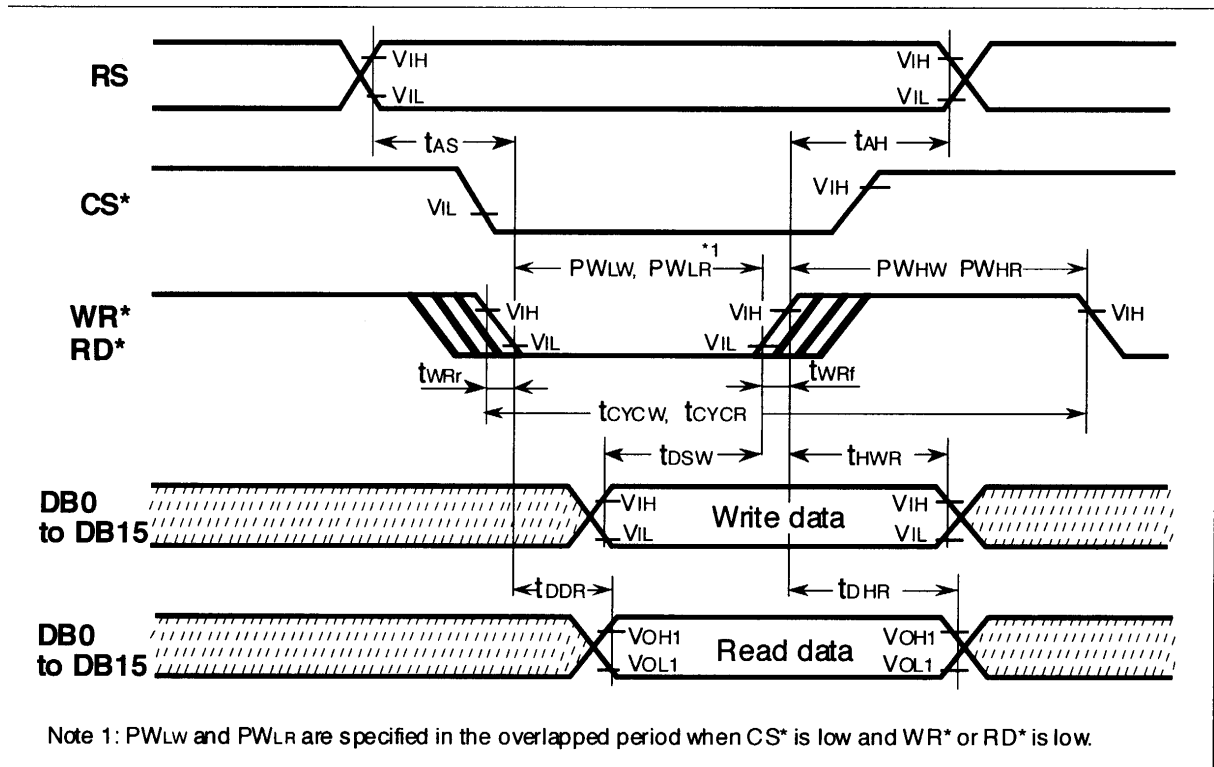
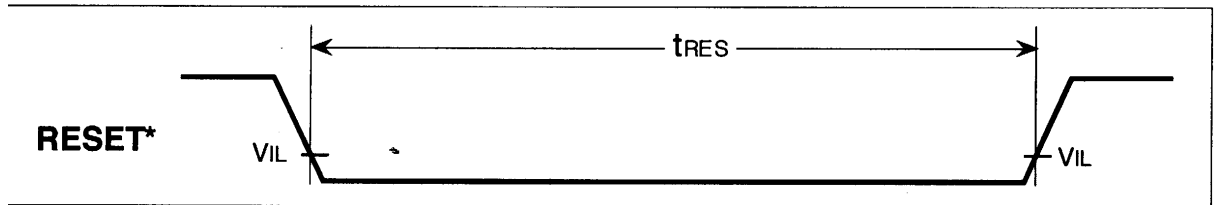
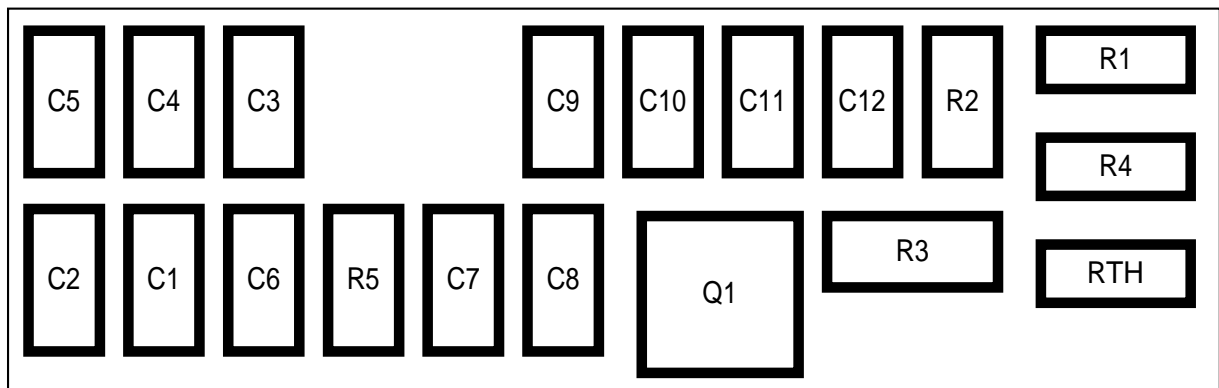


Figure 63 80-system Bus Timing

Reset Operation



8 BOM List



Position	Value	Vender	Remark
R1	330K ohm	RALEC	Resister
R2	1K ohm		Resister
R3	5.6K ohm		Resister
R5	0 ohm		Resister
RTH	10K ohm	MURATA	Thermistor
Q1	2SC4617	ROHM	Transistor
C1~C12	1UF	PHILIPS	Capacitor

9 QUALITY AND RELIABILITY

9.1 TEST CONDITIONS

Tests should be conducted under the following conditions :

Ambient temperature : $25 \pm 5^{\circ}\text{C}$

Humidity : $60 \pm 25\% \text{ RH}$.

9.2 SAMPLING PLAN

Sampling method shall be in accordance with MIL-STD-105E , level II, normal single sampling plan .

9.3 ACCEPTABLE QUALITY LEVEL

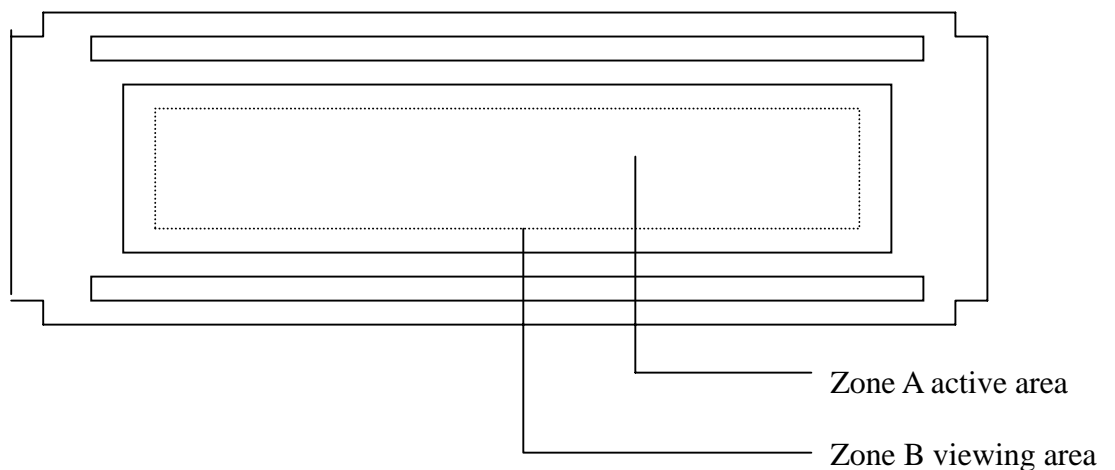
A major defect is defined as one that could cause failure to or materially reduce the usability of the unit for its intended purpose. A minor defect is one that does not materially reduce the usability of the unit for its intended purpose or is an infringement from established standards and has no significant bearing on its effective use or operation.

9.4 APPEARANCE

An appearance test should be conducted by human sight at approximately 30 cm distance from the LCD module under flourescent light. The inspection area of LCD panel shall be within the range of following limits.

9.5 INSPECTION QUALITY CRITERIA

Item	Description of defects			Class of Defects	Acceptable level (%)
Function	Short circuit or Pattern cut			Major	0.65
Dimension	Deviation from drawings			Major	1.5
Black spots	Ave . dia . D	area A	area B	Minor	2.5
	$D \leq 0.2$	Disregard			
	$0.2 < D \leq 0.3$	3	4		
	$0.3 < D \leq 0.4$	2	3		
	$0.4 < D$	0	1		
Black lines	Width W, Length L	A	B	Minor	2.5
	$W \leq 0.03$	disregard			
	$0.03 < W \leq 0.05$	3	4		
	$0.05 < W \leq 0.07, L \leq 3.0$	1	1		
	See line criteria				
Bubbles in polarizer	Average diameter D $0.2 < D < 0.5$ mm for N = 4 , D > 0.5 for N = 1			Minor	2.5
Color uniformity	Rainbow color or newton ring.			Minor	2.5
Glass Scratches	Obvious visible damage.			Minor	2.5
Contrast ratio	See note 1			Minor	2.5
Response time	See note 2			Minor	2.5
Viewing angle	See note 3			Minor	2.5



9.6 RELIABILITY

Test Item	Test Conditions	Note
	Extend Temp. type	
High Temperature Operation	70±3°C , t=96 hrs	
Low Temperature Operation	-20±3°C , t=96 hrs	
High Temperature Storage	80±3°C , t=96 hrs	1,2
Low Temperature Storage	-30±3°C , t=96 hrs	1,2
Thermal Shock Test	-30°C ~ 25°C ~ 80°C 30 m in. 5 min. 30 min. (1 cycle) Total 5 cycle	1,2
Humidity Test	40 °C, Humidity 90%, 96 hrs	1,2
Vibration Test (Packing)	Sweep frequency : 10 ~ 55 ~ 10 Hz/1min Amplitude : 0.75mm Test direction : X.Y.Z/3 axis Duration : 30min/each axis	2
ESD Test	The ESD test method follow IEC 1000-4-2 Contact discharge: ±4kV, level II Air discharge ±8kV, level III Cd=150pF, Rd=330 Test times : 10 times per each condition, total 40 times.	2

Note 1 : Condensation of water is not permitted on the module.

Note 2 : The module should be inspected after 1 hour storage in normal conditions
(15-35°C , 45-65%RH).

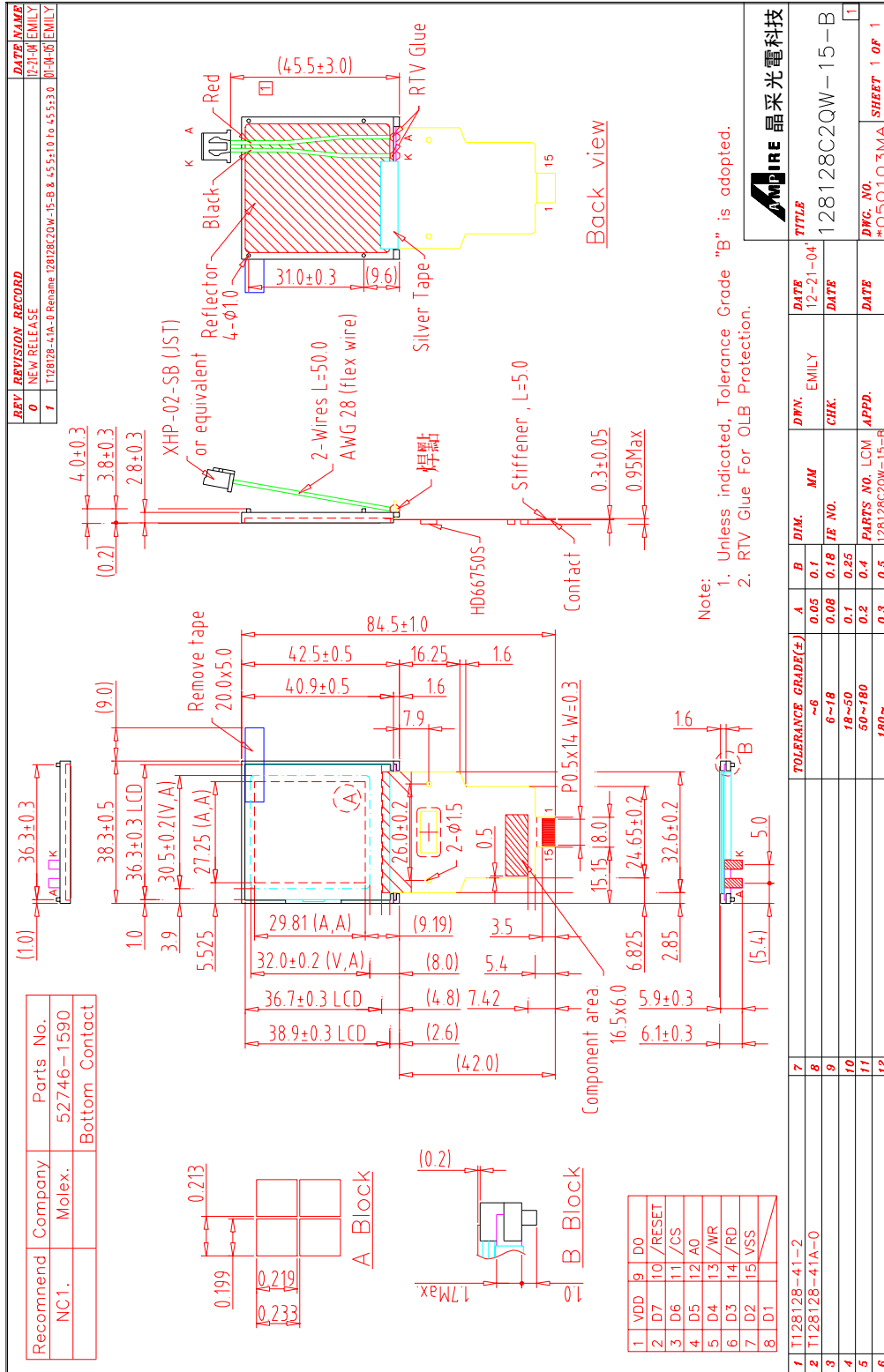
Definitions of life end point :

- Current drain should be smaller than the specific value.
- Function of the module should be maintained.
- Appearance and display quality should not have degraded noticeably.
- Contrast ratio should be greater than 50% of the initial value.

10 HANDLING PRECAUTIONS

- (1) A LCD module is a fragile item and should not be subjected to strong mechanical shocks.
- (2) Avoid applying pressure to the module surface. This will distort the glass and cause a change in color.
- (3) Under no circumstances should the position of the bezel tabs or their shape be modified.
- (4) Do not modify the display PCB in either shape or positioning of components.
- (5) Do not modify or move location of the zebra or heat seal connectors.
- (6) The device should only be soldered to during interfacing. Modification to other areas of the board should not be carried out.
- (7) In the event of LCD breakage and resultant leakage of fluid do not inhale, ingest or make contact with the skin. If contact is made rinse immediately.
- (8) When cleaning the module use a soft damp cloth with a mild solvent, such as Isopropyl or Ethyl alcohol. The use of water, ketone or aromatic is not permitted.
- (9) Prior to initial power up input signals should not be applied.
- (10) Protect the module against static electricity and observe appropriate anti-static precautions.

11 OUTLINE DIMENSION



AMPIRE 晶采光電科技

TITLE
128128C2QW-15-B

DWG. NO.
*O50103MA

SHEET 1 OF 1